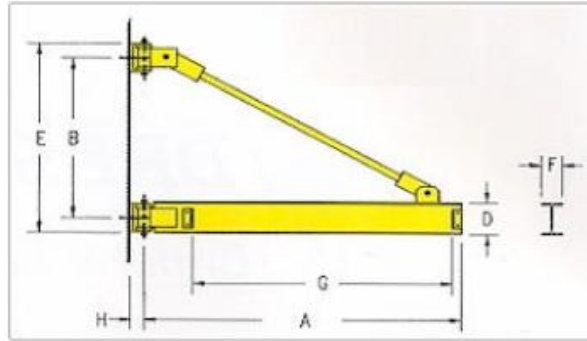


Column Mounted Jib: Standard Headroom



Wall Bracket Cantilever Style: Model WB - 180: Rotation 180°

Capacity in Tonnes	A Span	Bracket Type	B Bracket Centres	D	E	F	G	H	Thrust & Pull (lbs.)	MSRP Cdn \$
1/2	8'	WB-1	2' 9"	6"	3' 4"	3 3/8"	6' 10 1/2"	3 1/2"	3720	\$ 988
	10'		3' 0"	6"	3' 7"	3 3/8"	8' 10 1/2"		4420	\$1,070
	12'		3' 9"	8"	4' 4 1/2"	4"	10' 10 1/2"		4360	\$1,060
	14'		4' 6"	8"	5' 1 1/2"	4"	12' 10 1/2"		4330	\$1,235
	16'		5' 6"	8"	6' 1 1/2"	4"	14' 10 1/2"		4120	\$1,352
	18'		6' 0"	8 1/8"	6' 7 1/2"	5 1/4"	16' 10 1/2"		4400	\$1,560
	20'		6' 6"	8 1/8"	7' 1 1/2"	5 1/4"	18' 10 1/2"		4680	\$1,710
	22'		7' 0"	10 1/8"	7' 8 1/2"	5 3/4"	20' 10 1/2"		5130	\$1,840
	24'		7' 6"	10 3/8"	8' 2 1/2"	5 3/4"	22' 10 1/2"		5350	\$1,990
	26'		8' 0"	10 3/8"	8' 8 1/2"	5 3/4"	24' 10 1/2"		5810	\$2,176
	28'		9' 0"	12 1/4"	9' 9 1/2"	6 1/2"	26' 10 1/2"		5680	\$2,325
	30'		10' 0"	12 3/8"	10' 9 1/2"	6 1/2"	28' 10 1/2"		6040	\$2,465
1	8'	WB-1	2' 9"	6"	3' 4"	3 3/8"	6' 10 1/2"	3 1/2"	7280	\$1,070
	10'		3' 0"	8"	3' 7 1/2"	4"	8' 10 1/2"		8620	\$1,235
	12'		3' 9"	8 1/8"	4' 4 1/2"	5 1/4"	10' 10 1/2"		8640	\$1,353
	14'		4' 6"	8 1/8"	5' 1 1/2"	5 1/4"	12' 10 1/2"		8440	\$1,470
	16'		5' 6"	8 1/8"	6' 1 1/2"	5 1/4"	14' 10 1/2"		8010	\$1,640
	18'		6' 0"	10 1/8"	6' 8 1/2"	5 3/4"	16' 10 1/2"		8450	\$1,870
	20'		6' 6"	10 3/8"	7' 2 1/2"	5 3/4"	18' 10 1/2"		8980	\$2,176
	22'		7' 0"	10 1/2"	7' 8 3/4"	5 3/4"	20' 10 1/2"		9580	\$2,350
	24'		7' 6"	12 1/2"	8' 3 3/4"	6 1/2"	22' 10 1/2"		9890	\$2,415
	26'		8' 0"	14 1/8"	8' 10 1/2"	6 3/4"	24' 10 1/2"		10190	\$2,615
	28'		9' 0"	16"	9' 11 1/2"	7"	26' 10 1/2"		10320	\$2,700
	30'		10' 0"	16 1/8"	10' 11 1/2"	7"	28' 10 1/2"		10100	\$2,835

Column Mounted Jib: Standard Headroom (continued)

Capacity in Tonnes	A Span	Bracket Type	B Bracket Centres	D	E	F	G	H	Thrust & Pull (lbs.)	MSRP Cdn \$
2	8'	WB-2	2' 9"	8"	3' 5 1/4"	4"	6' 10 1/2"	4"	14480	\$1,385
	10'		3' 0"	8 1/4"	3' 8 1/4"	5 1/4"	8' 10 1/2"		17170	\$1,640
	12'		3' 9"	8 1/4"	4' 5 1/4"	5 1/4"	10' 10 1/2"		16790	\$1,855
	14'		4' 6"	10 3/8"	5' 3 1/4"	5 3/4"	12' 10 1/2"		16590	\$2,115
	16'		5' 6"	12 3/8"	6' 4 1/4"	6 1/2"	14' 10 1/2"		16880	\$2,350
	18'		6' 0"	12 1/2"	6' 10 3/8"	6 1/2"	16' 10 1/2"		16570	\$2,585
	20'		6' 6"	14 1/8"	7' 5 1/8"	6 3/4"	18' 10 1/2"		17320	\$2,765
	22'		7' 0"	16 1/8"	8' 0 1/8"	7'	20' 10 1/2"		18320	\$3,053
	24'		7' 6"	16 1/4"	8' 6 1/8"	7 1/8"	22' 10 1/2"		18860	\$3,470
	26'		8' 0"	18 1/4"	9' 1 1/4"	7 1/2"	24' 10 1/2"		19360	\$3,676
	28'		9' 0"	21"	10' 2 5/8"	8 1/4"	26' 10 1/2"		18720	\$3,876
	30'		10' 0"	21 1/8"	11 2 5/8"	8 1/4"	28' 10 1/2"		18200	\$4,015
3	8'	WB-3	2' 9"	10"	3' 6 5/8"	4 5/8"	6' 10"	4"	21600	\$1,945
	10'		3' 3"	10 1/2"	4'0 3/4"	5 3/4"	8' 10"		23550	\$2,295
	12'		4' 0"	10 1/2"	4' 9 7/8"	5 3/4"	10' 10"		23570	\$2,485
	14'		4' 9"	12 1/2"	5' 7 7/8"	6 1/2"	12' 10"		23530	\$3,170
	16'		5' 6"	12 1/2"	6' 5 7/8"	6 1/2"	14' 10"		23510	\$3,355
	18'		6' 3"	16"	7' 3 5/8"	7"	16' 10"		23680	\$3,470
	20'		7' 0"	16 1/4"	8' 0 3/4"	7 1/8"	18' 10"		24060	\$3,590
	22'		7' 9"	18 1/8"	8' 10 3/4"	7 1/2"	20' 10"		24140	\$3,876
	24'		8' 6"	18 1/4"	9' 7 3/4"	7 1/2"	22' 10"		24220	\$4,230
	26'		9' 3"	21 1/8"	10' 6 1/4"	8 1/4"	24' 10"		24310	\$4,485
	28'		10' 0"	23 3/4"	11' 4 1/2"	9"	26' 10"		24410	\$4,890
	30'		11' 0"	23 7/8"	12' 4 5/8"	9"	28' 10"		23950	\$5,030

A foundation is not required on these models if installed with two part epoxy anchor system

Dressor Crane & Hoist
 div of The Dressor Group Ltd
 400 Morobel Drive Unit # 3
 Milton, Ontario L9T-4N6
 Tel (905) 636-9100 or 1-800-418-1416
 Fax (905) 636-9200