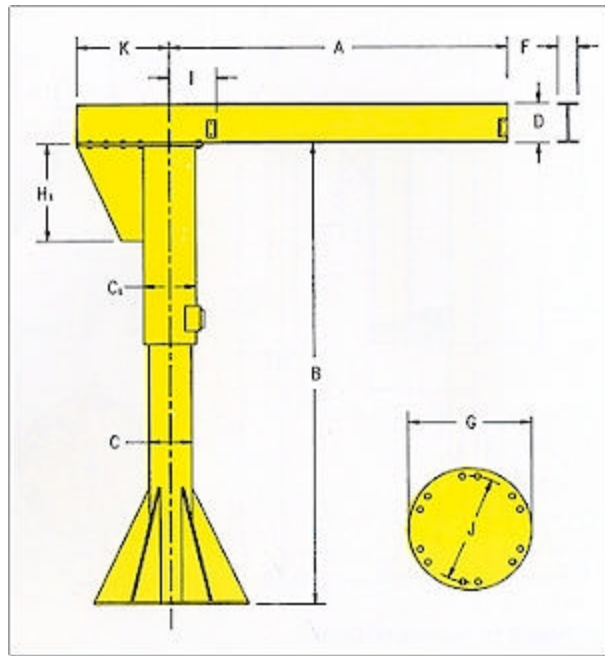


Free Standing Fully Revolving Jib



Free Standing Base Plate: Mounted/Revolving Style: Model FSC - 360: Rotation 360°

Capacity in Tonnes	A Span	B	C	C1	D	F	G	H1	I	J	K	No. of Anchor Bolts	Shipping Weight (approx. lbs.)
1/2	8'	10'	8 5/8"	10 3/4"	8"	4"	28"	10"	13 1/8"	24"	12 5/8"	6	900
	10'	10'	10 3/4"	12 3/4"	8"	4"	28"	13"	14 1/8"	24"	15 1/8"	6	1025
	12'	10'	10 3/4"	12 3/4"	13 3/4"	5"	28"	13"	14 1/8"	24"	15 1/8"	6	1100
	14'	10'	10 3/4"	12 3/4"	13 3/4"	5"	28"	13"	14 1/8"	24"	15 1/8"	6	1160
	16'	10'	10 3/4"	12 3/4"	13 3/4"	5"	28"	13"	14 1/8"	24"	15 1/8"	6	1250
	18'	10'	12 3/4"	14"	15 7/8"	5 1/2"	28"	16"	14 1/8"	24"	18 5/8"	6	1775
	20'	10'	12 3/4"	14"	15 7/8"	5 1/2"	28"	16"	15 1/8"	24"	18 5/8"	6	1840
1	8'	10'	10 3/4"	12 3/4"	8"	4"	28"	13"	14 1/8"	24"	15 1/8"	6	1025
	10'	10'	10 3/4"	12 3/4"	13 3/4"	5"	28"	13"	14 1/8"	24"	15 1/8"	6	1175
	12'	10'	12 3/4"	14"	13 3/4"	5"	28"	16"	15 1/8"	24"	18 5/8"	6	1350
	14'	10'	12 3/4"	14"	13 7/8"	5"	28"	16"	15 1/8"	24"	18 5/8"	6	1550
	16'	10'	14"	16"	15 7/8"	5 1/2"	28"	19"	15 3/4"	30"	22"	6	1875
	18'	10'	14"	16"	17 3/4"	7 1/2"	34"	19"	15 3/4"	30"	22"	6	2210
	20'	10'	14"	16"	17 3/4"	7 1/2"	34"	19"	15 3/4"	30"	22"	6	2340
1 1/2	8'	12'	12 3/4"	14"	13 3/4"	5"	28"	16"	15 1/8"	24"	18 5/8"	6	1400
	10'	12'	12 3/4"	14"	13 7/8"	5"	28"	16"	15 1/8"	24"	18 5/8"	6	1580
	12'	12'	14"	16"	15 3/4"	5 1/2"	34"	19"	15 3/4"	30"	22"	6	1800
	14'	12'	16"	18"	15 3/4"	5 1/2"	34"	22"	16 3/4"	30"	25"	6	2000
	16'	12'	16"	18"	16"	7"	40"	22"	16 3/4"	36"	25"	12	2500
	18'	12'	16"	18"	17 7/8"	7 1/2"	40"	22"	16 3/4"	36"	25"	12	2650
	20'	12'	20"	22"	17 7/8"	7 1/2"	40"	30"	19"	36"	31"	12	3150

Free Standing Fully Revolving Jib (continued)

Capacity in Tonnes	A Span	B	C	C1	D	F	G	H1	I	J	K	No. of Anchor Bolts	Shipping Weight (approx. lbs.)
2	8'	12'	12 3/4"	14"	10"	4 5/8"	34"	16"	15 1/8"	30"	18 5/8"	6	1650
	10'	12'	14"	16"	13 7/8"	5"	34"	19"	15 3/4"	30"	22"	6	1900
	12'	12'	16"	18"	15 7/8"	5 1/2"	34"	22"	16 3/4"	30"	25"	6	2300
	14'	12'	16"	18"	15 7/8"	5 1/2"	40"	22"	16 3/4"	36"	25"	12	2575
	16'	12'	20"	22"	16"	7"	40"	30"	17 3/4"	36"	31"	12	3175
	18'	12'	20"	22"	16"	7"	52"	30"	19"	48"	31"	12	3450
	20'	12'	20"	22"	17 7/8"	7 1/2"	52"	30"	19"	48"	31"	12	3725
3	8'	12'	16"	18"	12"	5"	40"	22"	16 3/4"	36"	25"	12	2300
	10'	12'	16"	18"	12"	5"	40"	22"	16 3/4"	36"	25"	12	2475
	12'	12'	20"	22"	16"	7"	40"	30"	19"	36"	31"	12	3050
	14'	12'	20"	22"	16"	7"	52"	30"	19"	48"	31"	12	3400
	16'	12'	20"	22"	18"	7 1/2"	52"	30"	19"	48"	31"	12	3575
	18'	12'	20"	22"	20 3/4"	8 1/4"	52"	30"	19"	48"	31"	12	3800
	20'	12'	24"	26"	21"	8 1/4"	52"	36"	21"	48"	40"	12	4700
5	8'	12'	20"	22"	15"	5 1/2"	52"	30"	19"	48"	31"	12	3350
	10'	12'	20"	22"	16 1/4"	7 1/8"	52"	30"	19"	48"	31"	12	3575
	12'	12'	24"	26"	18 1/8"	7 1/2"	52"	30"	19"	48"	31"	12	3900
	14'	12'	24"	26"	18 1/8"	7 1/2"	60"	36"	21"	48"	40"	12	4600
	16'	12'	24"	26"	21"	8 1/4"	60"	36"	21"	54"	40"	12	4900
	18'	12'	24"	26"	21 1/8"	8 1/4"	60"	36"	21"	54"	40"	12	5350
	20'	12'	24"	26"	23 7/8"	9"	60"	36"	21"	54"	40"	12	5800

A foundation is not required on these models if installed with two part epoxy anchor system

Dressor Crane & Hoist Ltd.

581 McGeachie Drive, Units 1 & 2, Milton, ON, CA L9T 3L5

1.800.418.1416 or 905.875.4334